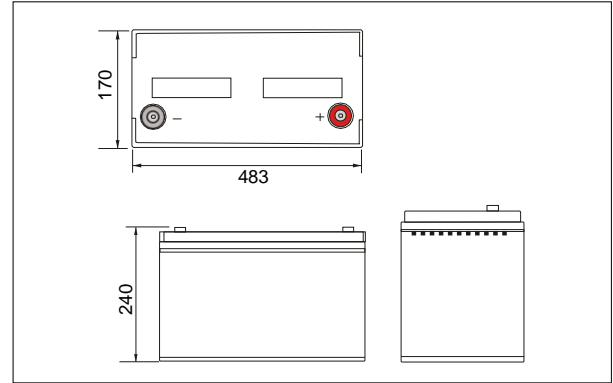


Lithium Iron Phosphate (LiFePO4) Battery Specification

SLAUMXLI200-12PRI (12.8V100AH)



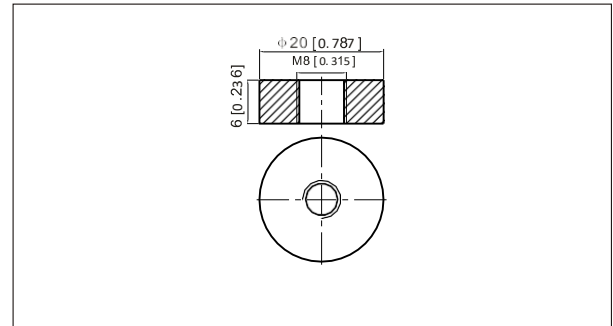
Outer dimensions (mm)



Specifications

Nominal voltage	12.8V	
Typical capacity	≥200Ah	At 0.2C discharge rate
Max continuous discharge current	200A	
Peak discharge current	400A	3 sec
Over current protection	700±20A	3-200 ms
Discharge cut-off voltage	10.5V±0.1V	
Charge voltage	14.6±0.1V	Charge mode: CC/CV, Use a constant current, constant voltage (CC/CV) please use special lithium charger. DO NOT REVERSE!
Charge current	≤200A	
Inner resistance	≤ 10mΩ	Between positive and negative polar
Operation temperature range	Charge	0°C ~ +45°C
	Discharge	-20°C ~ +60°C When the environment temperature is higher than 45°C, please pay attention to ventilation and heat rejection.
Storage temperature range	0°C ~ 40°C (Capacity 80%)	Recommended long-term storage temperature is 15~25°C
Humidity	5% ≤ RH ≤ 85%	
Shell material	ABS plastic	
Weight	About 20.7 ± 0.1 Kg	
Size (L*W*H)	(483±2)*(170±2)*(240±2)mm	

Terminal Type (mm)



Characteristics

