

## Lithium Iron Phosphate (LiFePO4) Battery Specification

### SLAUMXLI150-12PBH (12.8V150AH) with Heating and Bluetooth

\* Battery has a built-in heater to enable charging at low temperature. Heating warms the battery to +5°C before charging commences



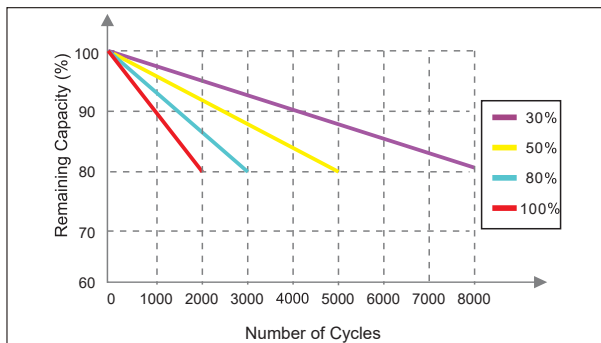
#### Specifications

Nominal Voltage		12.8V
Rated capacity (20 hour rate)		150Ah
Dimensions	Total Height	211 mm
	Height	211 mm
	Length	325 mm
	Width	165 mm
Weight Approx		12.8 Kg

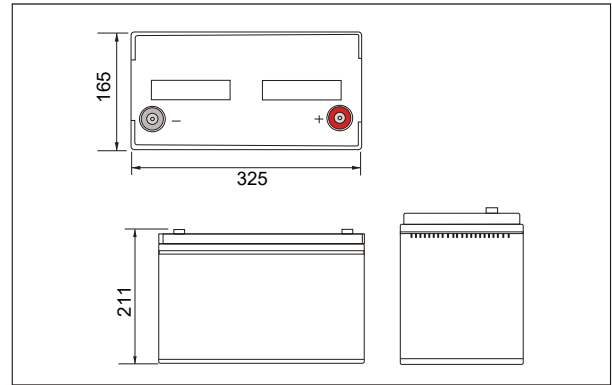
#### Characteristics

Charge Discharge Properties	Efficiency of Charge	100% at 0.5C
	Efficiency of Discharge	97% at 1C
	Cycle Life	>80% retention at 2000 cycles
	1.5 hour discharge to 10.5V	40.0 A
	Internal Resistance	<18 mΩ
Charge Characteristics	Charge Voltage	14.6±0.1V
	Charger Current	75A
	Charge Cut-off Voltage	14.6±0.1V
Discharge Characteristics	Normal Current	75A
	Max Continuous Current	150A (1h)
	Maximum Pulse Current	350A(<3s)
	Discharge Cut-off Voltage	10V
Temperature	Charge Temperature*	-20°C-60°C(-4°F-140°F)
	Discharge Temperature	-20°C-60°C(-4°F-140°F)
	Storage Temperature	0°C-40°C(32°F-104°F)
	Months Self Discharge	<3%

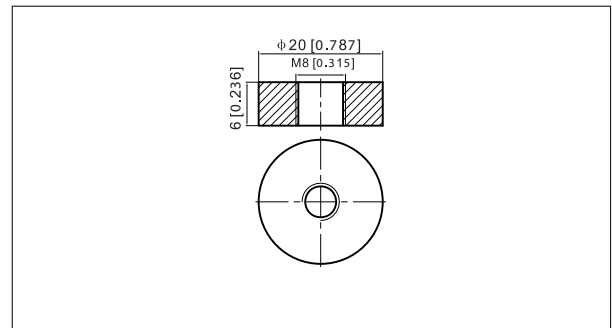
#### Cycle Lives Curves



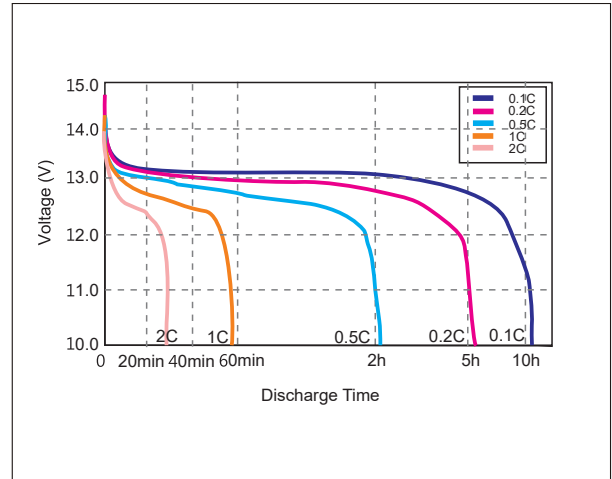
#### Outer dimensions (mm)



#### Terminal Type (mm)



#### Discharge Curves 25°C (77°F)



#### Temperature Discharge Curve @0.5C

