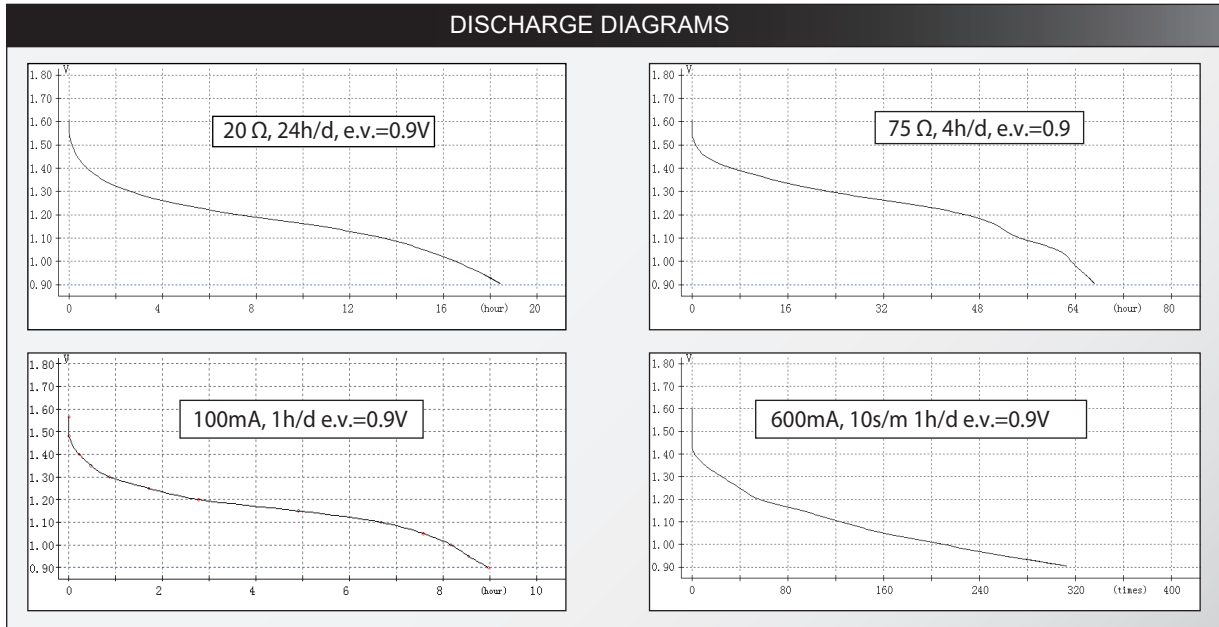
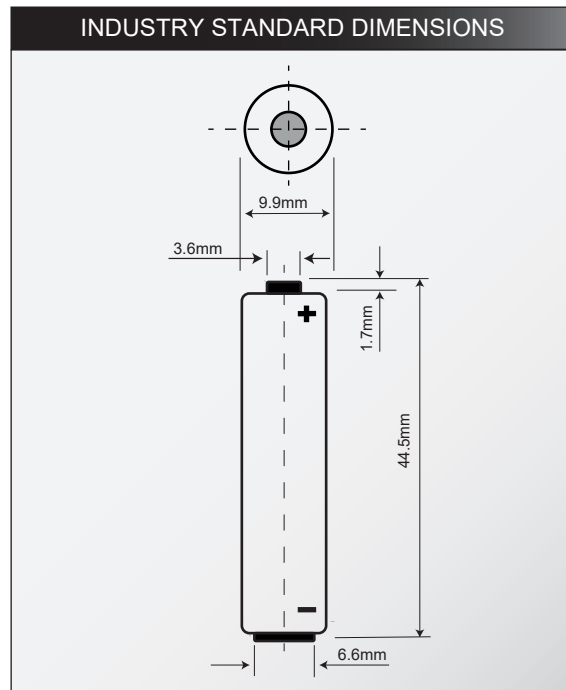


## ULTRA MAX ALKALINE STANDARD (LR03) AAA



SPECIFICATION	
DESIGNATION	LR03/AAA
NOMINAL VOLTAGE	1.5V
TYPICAL CAPACITY	1170mAh
TYPICAL WEIGHT	11.0g
TYPICAL VOLUME	3.4cm <sup>3</sup>
TERMINALS	Flat Contact
CHEMICAL SYSTEM	Alkaline Zinc-Manganese dioxide
STORAGE TEMPERATURE RANGE	<30°C
OPERATING TEMPERATURE RANGE	-18°C~50°C



### Important Notice

Delivered capacity is dependent on the applied load, operating temperature and cut-off voltage. Please refer to the charts and discharge data shown.